

切片机全视图

1 特种钢刀片经镀铬打磨处理, 经久耐用且便于磨砺

2 经抛光, 镀铬处理 安全卫生且经久耐用

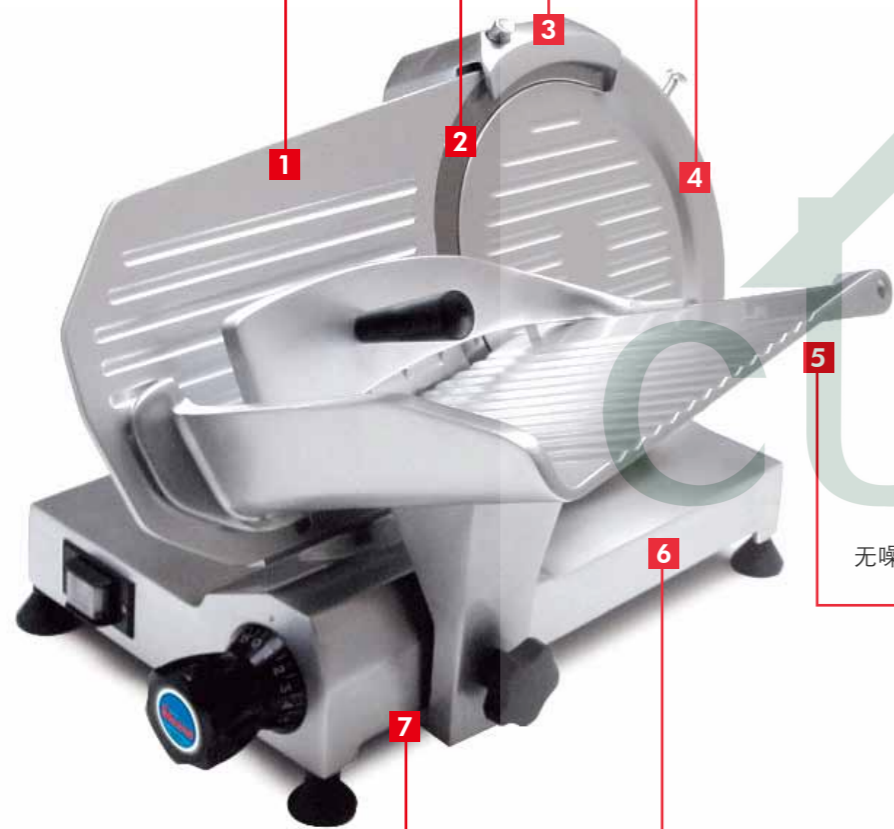
3 220系列以上所有切片机都安装有磨刀器 磨砺方便且准确

4 强力 Poli V 带驱动 可靠性高、噪音小、便于维护

5 无噪音、强力6级异步马达

6 由优质镁铝锰合金制造 结实、可靠、无噪音

7 安装在自动润滑轴套上的料斗 使用方便且经久耐用



适用范围

产品型号 Slicer model	面包 Bread	奶酪 Cheese	蔬菜 Vegetable	香肠 Sausages	火腿 Ham	鲜肉 Fresh meat	熟肉 Cooked meat	冻肉 Frozen meat (-3°C)	冻肉 Frozen meat (<-3°C)	鱼类 Fish
ANNIVERSARIO	Yellow	Yellow	Green	Green	Green	Red	Yellow	Red	Red	Red
TOPAZ	Yellow	Yellow	Green	Green	Yellow	Red	Green	Red	Red	Yellow
MIRRA / SMART	Yellow	Yellow	Green	Green	Green	Yellow	Green	Red	Red	Yellow
CANOVA	Yellow	Yellow	Green	Green	Green	Yellow	Green	Red	Red	Yellow
CANOVA AUTOMECC	Yellow	Yellow	Green	Green	Green	Green	Green	Red	Red	Yellow
PALLADIO	Yellow	Yellow	Green	Green	Green	Yellow	Green	Red	Red	Yellow
PALLADIO AUTOMATIC	Yellow	Yellow	Green	Green	Green	Green	Green	Red	Red	Yellow
PALLADIO AUTOMECC	Yellow	Yellow	Green	Green	Green	Green	Green	Red	Red	Yellow
PALLADIO FROZEN	Yellow	Yellow	Green	Green	Green	Green	Green	Green	Green	Yellow
GALILEO	Yellow	Yellow	Green	Green	Green	Yellow	Green	Red	Red	Yellow
MIRRA BS	Yellow	Yellow	Green	Green	Green	Green	Green	Red	Red	Yellow
GIOTTO BS	Yellow	Yellow	Green	Green	Green	Green	Green	Red	Red	Yellow
MANTEGNA BS	Yellow	Yellow	Green	Green	Green	Yellow	Green	Red	Red	Yellow
MANTEGNA VCS	Yellow	Yellow	Green	Green	Green	Green	Green	Red	Red	Yellow

■ 适用 Suggested for this use
■ 可用, 但不理想 Usable for this food but not ideal
■ 不适用 Not recommended for this use

适用场所

产品型号 Slicer model	家用 Household	酒吧 Bar and pubs	快餐店 Fast food	小型比萨饼店 -小餐厅 Small pizzeria - restaurant	餐厅 Restaurant	大型餐厅-食堂 Big restaurant, Catering, Canteens	肉食店-食品 加工业-超市 Butchery, Industry, Supermarket
ANNIVERSARIO					Green	Green	
TOPAZ	Green	Green					
MIRRA / SMART	Green	Green	Green	Green	Green		
CANOVA			Green		Green		
CANOVA AUTOMECC						Green	Green
PALLADIO					Green		
PALLADIO AUTOMATIC						Green	Green
PALLADIO AUTOMECC						Green	Green
PALLADIO FROZEN						Green	Green
GALILEO						Green	Green
MIRRA BS		Green		Green	Green		
GIOTTO BS		Green		Green	Green		
MANTEGNA BS			Green		Green	Green	Green
MANTEGNA VCS						Green	Green

■ 适宜使用 Suggested for this use

切片机差异型特征

TOP型切片机



常规型切片机



倾斜式与垂直式切片机的优缺点

倾斜式切片机



- ✓ 倾斜式刀片
- ✓ 使用简便
- ✓ 装卸快捷
- ✓ 切片很方便地直落在板上
- ✓ 不会留有未切食品

- ✗ 食品不能被完全固定，会发生移动

垂直式切片机



- ✓ 垂直式刀片
- ✓ 食品可更好地固定
- ✓ 可以切外形不规则（凹凸不平的）食品
- ✓ 用VCS料斗适合切生肉
- ✓ 带有BS(特制夹臂)的料斗可以切大的香肠和火腿

- ✗ 装卸缓慢
- ✗ 食品的末端难以切到
- ✗ 切片需要用手从刀边拿开

新客行
CUSBEST